



Continuous inkjet printer
Right on the coding

B400i

BROCHURE



Clear, beautiful, stable printing



“B400i”Series Continuous inkjet Small character coding

GET CODING



- 10.4-inch high-definition touch screen
Automatic cleaning and shutdown in case of unexpected power failure
LINUX system controls three CPUs to work together
- The electrical compartment is fully sealed and the protection of the whole machine is upgraded to IP55
Built-in UPS automatically cleans the pipeline and shuts down after accidental power failure
- The new design of the nozzle adding a barrel nozzle filter to reduce the probability of nozzle clogging
Optimized nozzle structure no PICO valve perfectly solves the problem of high failure rate of PICO valve

Codes to create a lasting impression



Manual testing: direct manipulation of individual ink system valves and pumps close through the menu, easier to judge the failure, then prevent unnecessary maintenance costs.

Ink system: simple drawer intelligent ink system, ensure the stability of ink-system running, greatly improving the conveniences of maintenance.

Refill system: Ink refill system, refill and running at same time, No need to replace the ink tank, saving running cost.

🎯 A complete solution

Our services are designed to provide operational insight so you can eliminate downtime and maximise production efficiency

Operational support

No matter where you are, you can receive excellent after-sales service. We provide high-quality assistance manuals and instructional videos, as well as remote guidance from technical experts. 24X7 online service ensures that we can be with you when you need us the most.

Automatic code inspection

Ensure that every code leaving the factory exists and is correct, and save operator time. With the CYCJET visual control system, you can automate code checking to verify the presence, location, and readability of code.

Control software

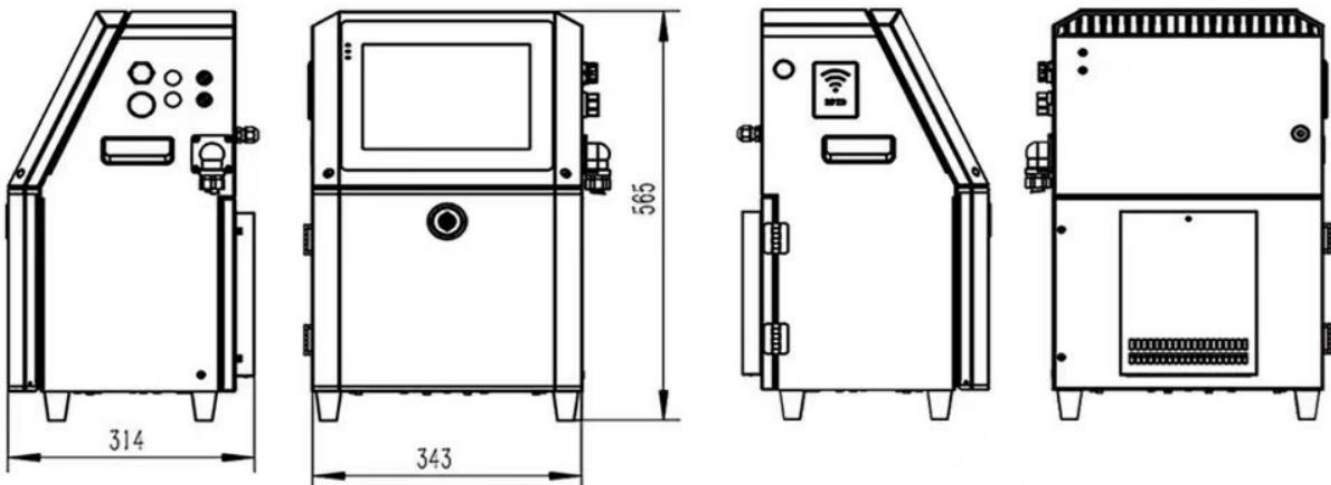
Minimise errors using CYCJET's software. Control your product codes from a central location and streamline product changeovers. CYCJET's software uses standard communication protocols and can be integrated into existing ERP systems.

Smart production

The B400i high-resolution inkjet printer can be integrated into any production line, no matter how complex your production environment is, the B400i can help you improve production efficiency.



Model	B400i
electrical requirements	Power supply: 200-240VAC.50/60Hz,120W
weight	Unpacked net weight: 21kg Packaged weight: 33kg
Overall size	343mmx314mmx565mm
Throat	Equipped: Standard 2.5m Custom length: 3m, 3.5m, 4m
Nozzle	Diameter: 42mm Length: 261mm
Line speed	Single line speed up to 280m/min
character height	Can be selected between 2-18mm according to the font dot matrix
Printing distance	The best distance for printing is 10mm Range: 5mm-15mm
display screen	10.4 inch 1024*768 resolution
font dot matrix	English:5x5,5x7,7x9,9x11,12x16,18x24,24x32





Contact Us

Web: www.cycjet.com

TEL: +86-21-59970419

FAX: +86-21-59971610

Email: service@cycjet.com

ADD: 1/F, BLDG. 4, NO. 333 HUAGAO RD., HUATING
IND. ZONE, SHANGHAI(201816) P.R.C

