



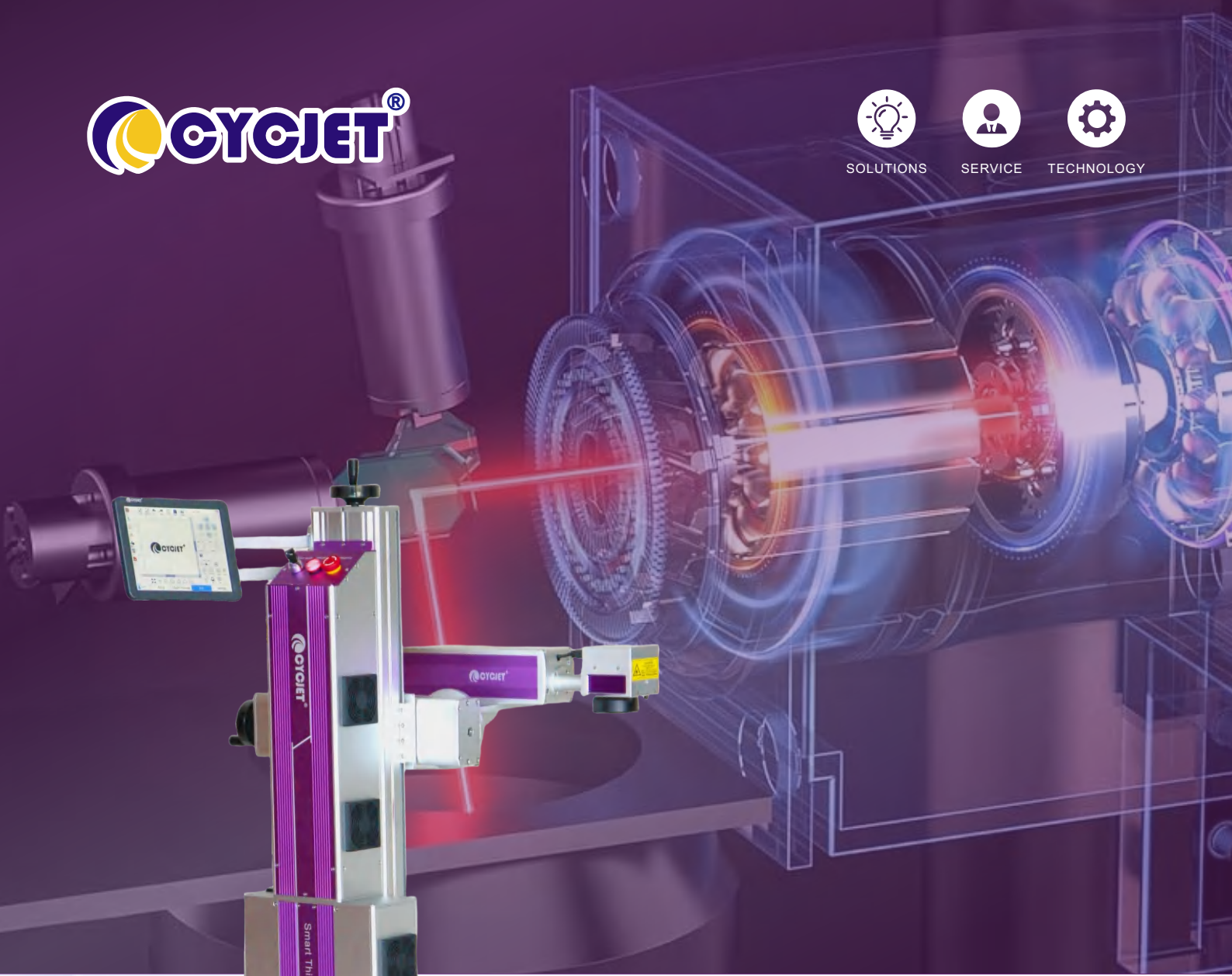
SOLUTIONS



SERVICE



TECHNOLOGY



LF50F

BROCHURE

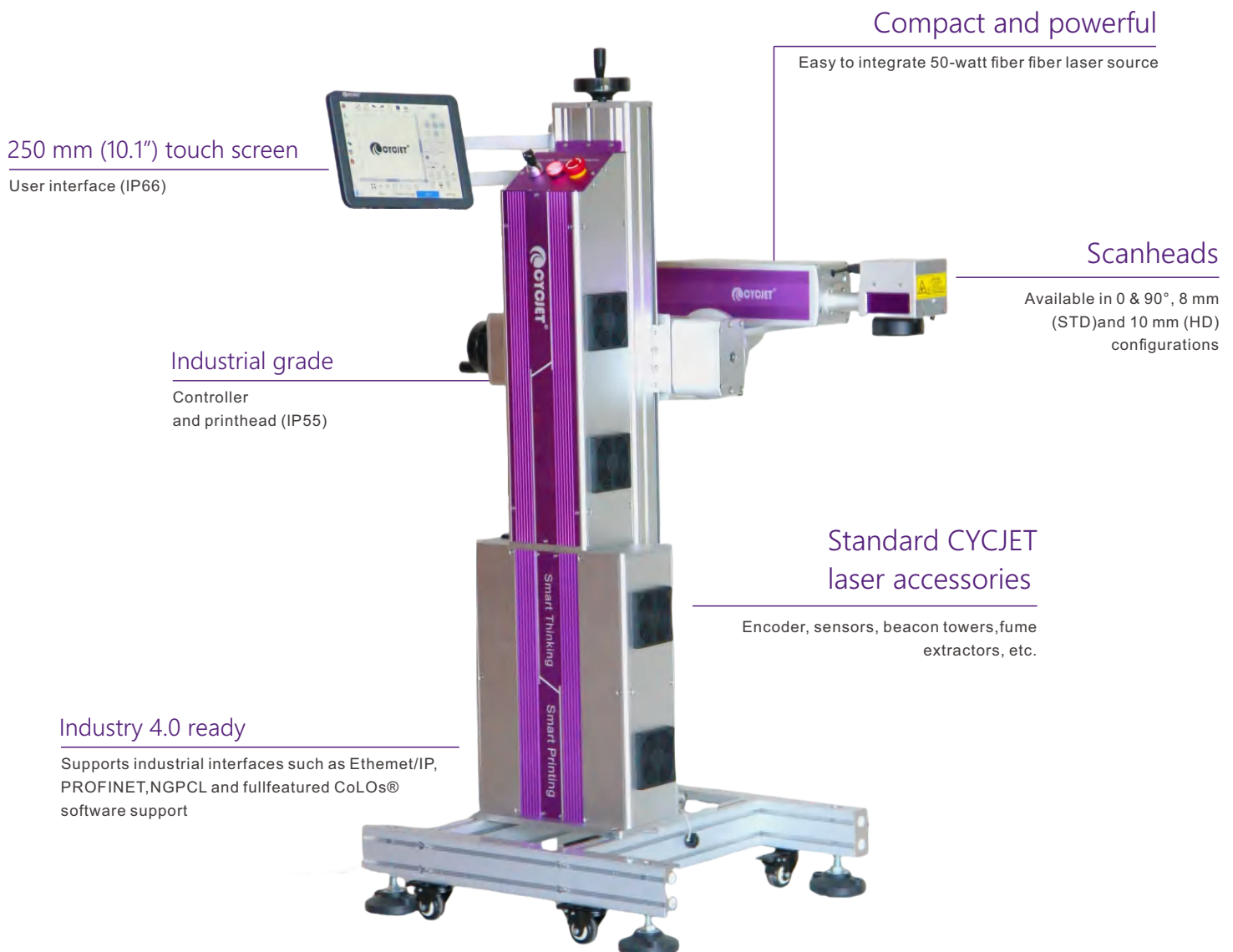
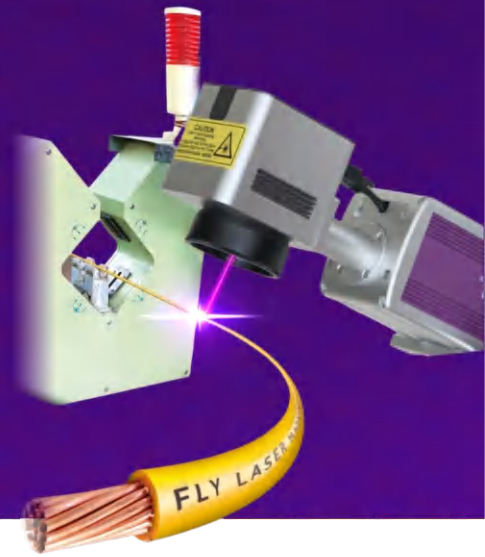


LF50F Fly Laser Printer

marking with the energy of light

CYCJET has developed the world's latest laser technology and designed the LF series flying laser printer based on good marketing experience. This is the latest application on cables and plastic pipes. The printer is compact and well integrated, suitable for fast and long-term printing on plastic pipes, and can work continuously for 24 hours. Intelligent and simple operations to meet different line speeds and materials

- High-quality, chemical-free and permanent coding on high-density substrates
- Lower operating expenses (OPEX) with fewer line stoppages, higher efficiency and no consumables
- Easy to integrate and operate with intuitive user interface for improved operator's efficiency and reduced risk of human errors
- Industry 4.0 ready



250 mm (10.1") touch screen
User interface (IP66)

Industrial grade
Controller
and printhead (IP55)

Industry 4.0 ready

Supports industrial interfaces such as Ethernet/IP, PROFINET, NGPCL and full featured CoLoS® software support

Compact and powerful

Easy to integrate 50-watt fiber laser source

Scanheads

Available in 0 & 90°, 8 mm (STD) and 10 mm (HD) configurations

Standard CYCJET laser accessories

Encoder, sensors, beacon towers, fume extractors, etc.

Applications

CYCJET is committed to helping you achieve the best quality codes for your specific application.

We provide customized sample print test support that considers your code, content, line speed and substrate to ensure you have the 'just right' laser wavelength, power and lens solution.



Food and beverage: Bare metals, metalized foil packaging, plastics, aluminum and anodized aluminum containers or caps

Pharma: Aseptic packaging, blister packs, vial enclosures

Electrical: Metal and plastic parts (ABS, HDPE), wire jackets

Automotive: Metal (steel, copper, titanium, aluminum) and plastic parts (POM, polycarbonate, polystyrene)



The fly fiber laser LF50F

Crisp, superb quality, permanent codes

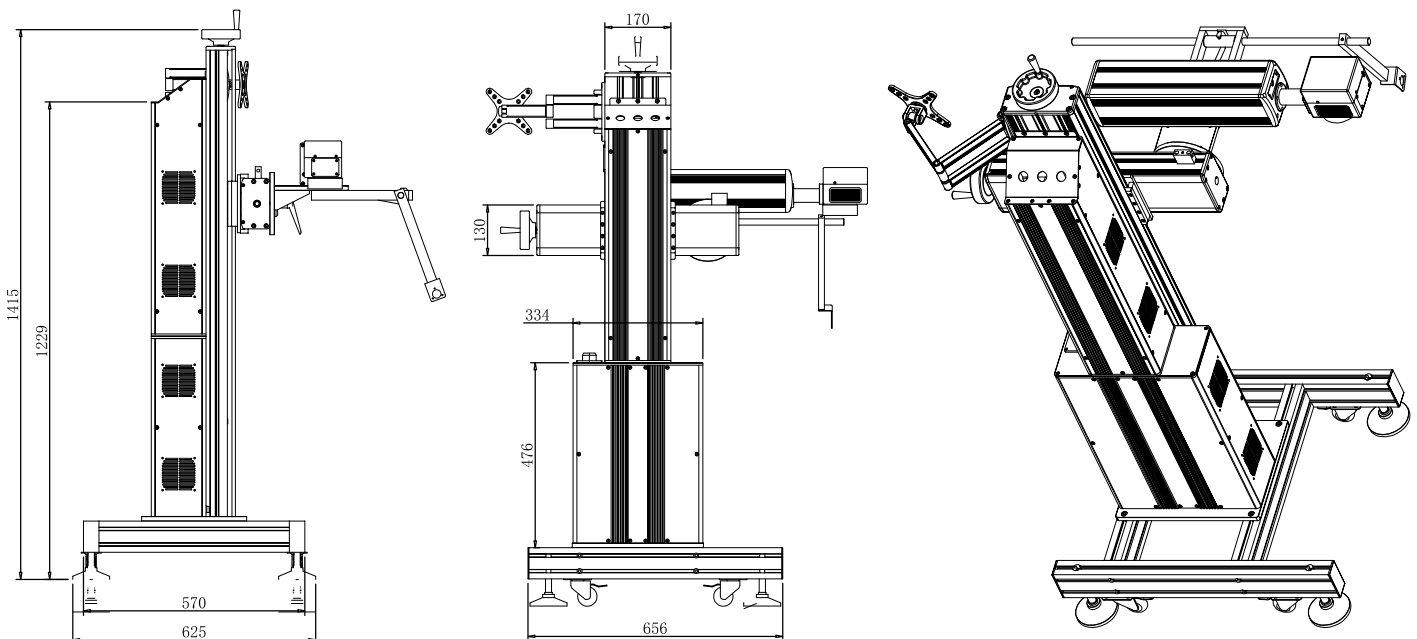
- Clean, readable and traceable even at high line speeds and product throughput, minimizing rework and recall costs
- Permanent, indelible marking prevents counterfeiting, protecting brand integrity
- High-performance digital galvanometers are driven by a unique algorithm

Lower OpEx, higher efficiency and chemical-free

- Lower operating expenses by eliminating the cost of consumables and external cooling
- Virtually maintenance free to increase Overall Equipment Efficiency (OEE) and minimize production losses with fewer line stoppages
- Clean and compliant production supports your sustainability goals by eliminating chemical components

Industry 4.0 ready, rugged and safe

- Industry 4.0 optimized with industrial interfaces such as Ethernet/IP, PROFINET, NGPCL and full-featured support for CoLOS[®] software enabling seamless integration with complex plant automation and manufacturing execution systems (MES)
- Reliable operation in harsh, dusty and humid manufacturing environments with an IP55 controller unit and printhead
- Meets highest safety standards for E-stop and interlock circuits as per ISO 9001/PLe



TECHNICAL SPECIFICATION

Model	LF50F
Frame Material	ALUM.
Laser Type	Specialized High-speed Fiber Laser
Power	≥50W
Laser Wavelength	1064nm
Galvanometer Deflection	High precision dual dimensional scanning system
Master Control	Highly integrated board with 10 inch color touch screen
Operating System	LINUX based with high speed marking software
Cooling System	Air Cooling System
Focus Distance	180mm (Customized available)
Minimum Line Width	0.012mm
Repeatability Accurate Positioning	0.003mm
Marking Line Type	Dot matrix, bold, vector all in one (both dot matrix and vector)
Marking Area	Standard 110x110mm (Customized available)
Marking Height	Standard character height 110mm
Marking Length	Unlimited
Typeface	Chinese, English, Arabic, Russian, Spanish, Faris, Italian etc... (Customized available)
Marking Content	Number, logo, image, letter, serial number, system date & time, etc.
File Format	CNF,PLT,JPG,CRD, BMP
Barcode Type	CODE39, CODE128, CODE126, QR, Z-Code
Power Supply	100-220V/50-60HZ
Power Consumption	600W
Gross weight	103kg
Package Size	136X61X50cm
Environmental Requirement	External Temperature 0°C-45°C; humidity≤95%; non-condensing; no shaking

The Quality Standard of CYCJET Fly Laser marker

GB 7247-87	Radiation safety of laser products, requirements for equipment classification and user's Guide
GB10320-88	Electrical safety of laser equipment and facilities
ISO 9000-3	International software standards
GB/T12123-89	Sales packaging process
IEC 536	Classification of electrical and electronic equipment for protection against electric shock



Contact Us

Web: www.cycjet.com

TEL: +86-21-59970419

FAX: +86-21-59971610

Email: service@cycjet.com

ADD: 1/F, BLDG. 4, NO. 333 HUAGAO RD., HUATING
IND. ZONE, SHANGHAI(201816) P.R.C

