



SOLUTIONS



SERVICE



TECHNOLOGY



# LF30F

## BROCHURE

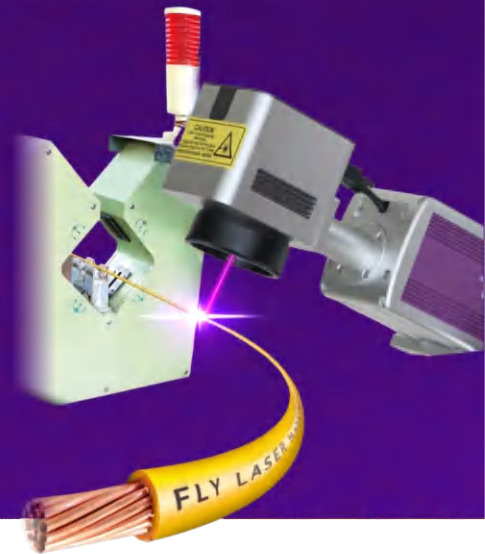


# LF30F Fly Laser Printer

## Printing with the energy of light

CYCJET has developed the world's latest laser technology and designed the LF series flying laser printer based on good marketing experience. This is the latest application on cables and plastic pipes. The printer is compact and well integrated, suitable for fast and long-term printing on plastic pipes, and can work continuously for 24 hours. Intelligent and simple operations to meet different line speeds and materials

- High-quality, chemical-free and permanent coding on high-density substrates
- Lower operating expenses (OPEX) with fewer line stoppages, higher efficiency and no consumables
- Easy to integrate and operate with intuitive user interface for improved operator's efficiency and reduced risk of human errors
- Industry 4.0 ready



250 mm (10.1") touch screen

User interface (IP66)



Industrial grade

Controller and printhead (IP55)

Compact and powerful

Easy to integrate 30-watt fiber laser source

Scanheads

Available in 0 & 90°, 8 mm (STD) and 10 mm (HD) configurations

Standard CYCJET laser accessories

Encoder, sensors, beacon towers, fume extractors, etc.

Industry 4.0 ready

Supports industrial interfaces such as Ethernet/IP, PROFINET, NGPCL and full featured CoLOs® software support

# Applications

CYCJET is committed to helping you achieve the best quality codes for your specific application.

We provide customized sample print test support that considers your code, content, line speed and substrate to ensure you have the 'just right' laser wavelength, power and lens solution.



**Food and beverage:** Bare metals, metalized foil packaging, plastics, aluminum and anodized aluminum containers or caps

**Pharma:** Aseptic packaging, blister packs, vial enclosures

**Electrical:** Metal and plastic parts (ABS, HDPE), wire jackets

**Automotive:** Metal (steel, copper, titanium, aluminum) and plastic parts (POM, polycarbonate, polystyrene)



# The fly fiber laser LF30F

## Crisp, superb quality, permanent codes

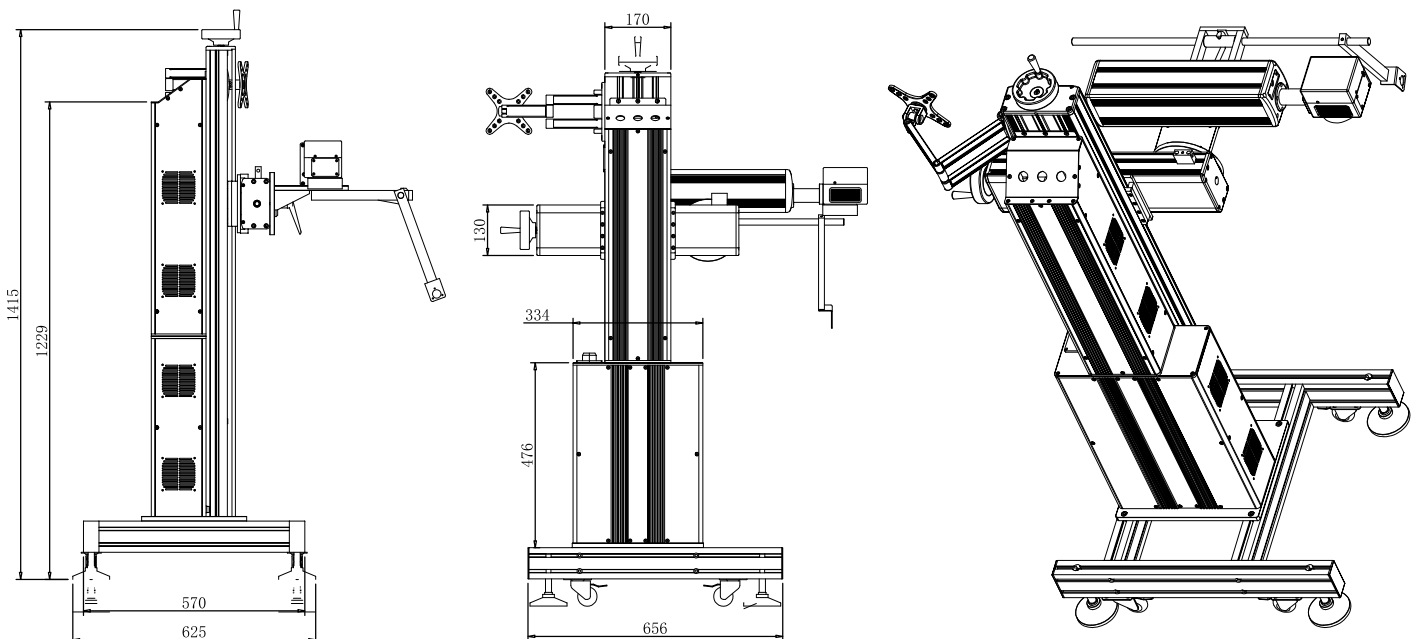
- Clean, readable and traceable even at high line speeds and product throughput, minimizing rework and recall costs
- Permanent, indelible marking prevents counterfeiting, protecting brand integrity
- High-performance digital galvanometers are driven by a unique algorithm

## Lower OpEx, higher efficiency and chemical-free

- Lower operating expenses by eliminating the cost of consumables and external cooling
- Virtually maintenance free to increase Overall Equipment Efficiency (OEE) and minimize production losses with fewer line stoppages
- Clean and compliant production supports your sustainability goals by eliminating chemical components

## Industry 4.0 ready, rugged and safe

- Industry 4.0 optimized with industrial interfaces such as Ethernet/IP, PROFINET, NGPCL and full-featured support for CoLOS<sup>®</sup> software enabling seamless integration with complex plant automation and manufacturing execution systems (MES)
- Reliable operation in harsh, dusty and humid manufacturing environments with an IP55 controller unit and printhead
- Meets highest safety standards for E-stop and interlock circuits as per ISO 9001/PLe



# TECHNICAL SPECIFICATION

<b>Model</b>	LF30F
<b>Frame Material</b>	ALUM
<b>Laser Type</b>	Specialized High-speed Fiber Laser
<b>Power</b>	≥30W
<b>Laser Wavelength</b>	1064nm
<b>Galvanometer Deflection</b>	High precision dual dimensional scanning system
<b>Master Control</b>	Highly integrated board with 10 inch color touch screen
<b>Operating System</b>	LINUX based with high speed marking software
<b>Cooling System</b>	Air Cooling System
<b>Focus Distance</b>	180mm (Customized available)
<b>Minimum Line Width</b>	0.012mm
<b>Repeatability Accurate Positioning</b>	0.003mm
<b>Marking Line Type</b>	Dot matrix, bold, vector all in one (both dot matrix and vector)
<b>Marking Area</b>	Standard 110x110mm (Customized available)
<b>Marking Height</b>	Standard character height 110mm
<b>Marking Length</b>	Unlimited
<b>Typeface</b>	Chinese, English, Arabic, Russian, Spanish, Faris, Italian etc... (Customized available)
<b>Marking Content</b>	Number, logo, image, letter, serial number, system date & time, etc.
<b>File Format</b>	CNF,PLT,JPG,CRD, BMP
<b>Barcode Type</b>	CODE39, CODE128, CODE126, QR, Z-Code
<b>Power Supply</b>	100-220V/50-60HZ
<b>Power Consumption</b>	600W
<b>Gross weight</b>	103kg
<b>Package Size</b>	136X61X50cm
<b>Environmental Requirement</b>	External Temperature 0°C-45°C; humidity≤95%; non-condensing; no shaking

## The Quality Standard of CYCJET Fly Laser marker

GB 7247-87	Radiation safety of laser products, requirements for equipment classification and user's Guide
GB10320-88	Electrical safety of laser equipment and facilities
ISO 9000-3	International software standards
GB/T12123-89	Sales packaging process
IEC 536	Classification of electrical and electronic equipment for protection against electric shock



## Contact Us

---

Web: [www.cycjet.com](http://www.cycjet.com)

TEL: +86-21-59970419

FAX: +86-21-59971610

Email: [service@cycjet.com](mailto:service@cycjet.com)

ADD: 1/F, BLDG. 4, NO. 333 HUAGAO RD., HUATING  
IND. ZONE, SHANGHAI(201816) P.R.C

